

LKF Pressure compensated flow control valves

LKF压力补偿可变流量控制阀

LKF series is a full range pressure compensated variable flow control valve, referred to as "flow control valve". We adjust the size of the orifice area through the rotation of the valve spool, independent of other port pressure changes, to maintain the flow at the set value. Currently, we have two options for customers to choose from, with or without adjustable spring safety valves.

LKF系列是全范围压力补偿可变流量控制阀，简称“流控阀”。阀杆的旋转调节节流孔口面积的大小变化不受其他油口压力变化的影响，使流量保持在设定值。目前我们有两款可供客户选择，带可调节的弹簧安全阀或者不带安全阀。



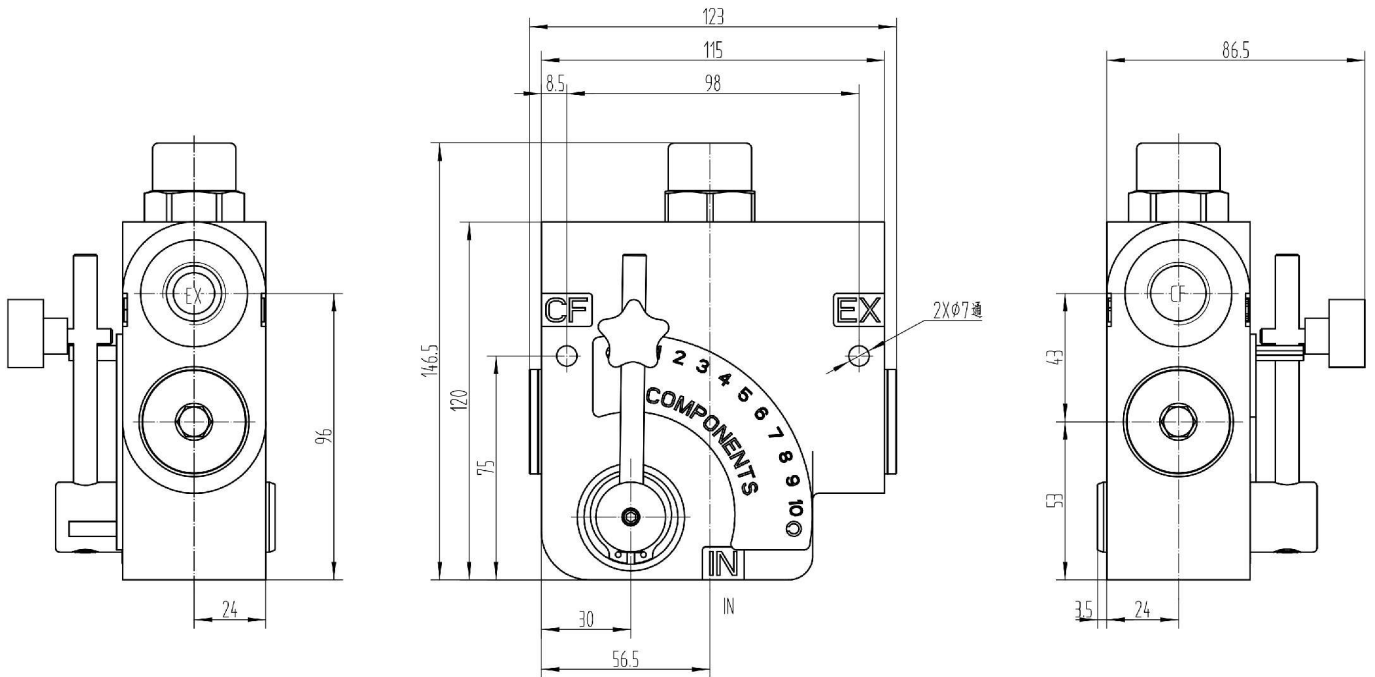
Technical Parameters | 技术参数

Model 型号	Oil port size 油口尺寸		Flow control range 额定流量	Working pressure 工作压力
LKF40	NPT3/8	G3/8	0-40L/min	0-21Mpa
LKF60	NPT1/2	G1/2	0-60L/min	0-21Mpa
LKF114	NPT3/4	G3/4	0-114L/min	0-21Mpa

LKF Pressure compensated flow control valves

LKF压力补偿可变流量控制阀

Drawing & Dimensions | 图纸和尺寸



Hydraulic Schematic | 液压原理图

液压原理图

