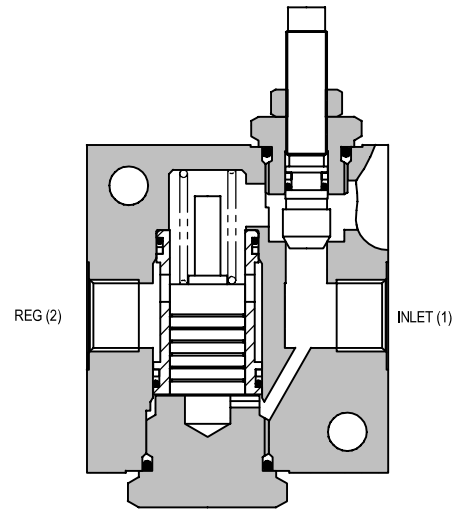
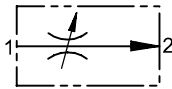




2FR SERIES PRESSURE COMPENSATED FLOW REGULATOR - RESTRICTIVE STYLE

2FR SERIES



APPLICATION

2FR valves are restrictive flow regulators. The flow (and actuator speed) will be largely independent of the load and the pressure conditions.

If used to restrict flow from a fixed supply, for example a standard gear or piston pump, the valve will pass the required flow and any surplus flow will pass over the system relief valve.

9

OPERATION

Inlet flow passes through the adjustable orifice and the radial holes in the spool/sleeve assembly then out of the regulated port. The pressure drop across the orifice is sensed at each end of the spool, producing a force which, at the required flow rate, overcomes the spring force. The resultant movement of the spool regulates the flow by opening the radial valve ports.

FEATURES

Line body construction with through flow ports allows direct connection into hydraulic systems. Leakproof adjust screw gives easy, accurate adjustment to required flow setting. Hardened and ground working parts give accurate flow control and long working life.

SPECIFICATIONS

Figures based on: Oil Temp = 40°C Viscosity = 40 cSt

Rated Flow	REGULATED: 2FR25 30 litres/min (8 US GPM) 2FR55 55 litres/min (14 US GPM) 2FR95 95 litres/min (25 US GPM) 2FR195 195 litres/min (50 US GPM)	
Max Pressure	210 bar (3000 psi)	
Material	All working parts hardened, ground and honed steel.	
Body Material	Standard aluminium (up to 210 bar*) Add suffix '377' for steel option.	
Mounting Position	Line mounted	
Weight	2FR25/2FR55	0.65 kg (1.43 lbs)
	2FR95	0.79 kg (1.74 lbs)
	2FR195	1.43 kg (3.15 lbs)
Seal Kit Number	2FR25/55	SK189 (Nitrile) SK189V (Viton)
	2FR95	SK202 (Nitrile) SK202V (Viton)
	2FR195	SK335 (Nitrile) SK335V (Viton)
Recommended Filtration Level	BS5540/4 Class 18/13 (25 micron nominal)	
Operating Temp	-20°C to +90°C	
Nominal Viscosity Range	5 to 500 cSt	

*For applications above 210 bar please consult our technical department or use the steel body option.

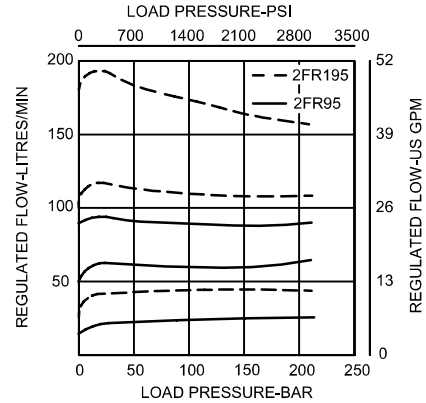
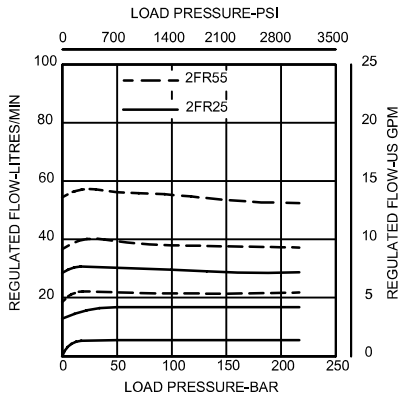
Integrated Hydraulics Ltd

Collins Road, Heathcote Ind. Est., Warwick, CV34 6TF, UK.
Tel: +44 (0) 1926 881171 Fax: +44 (0) 1926 315729
Website: www.integratedhydraulics.com

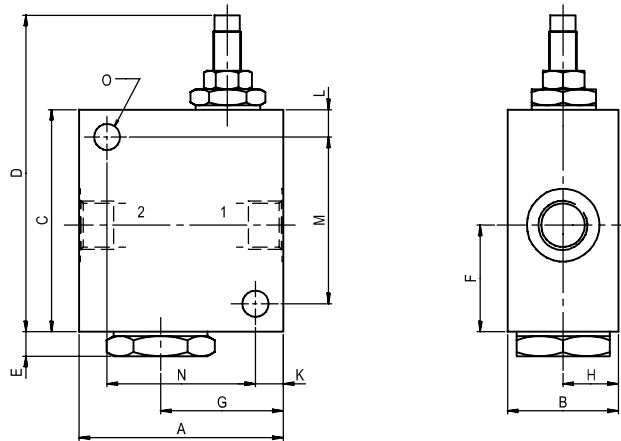
Integrated Hydraulics Inc

7047 Spinach Drive, Mentor, Ohio 44060, USA
Tel: (440) 974 3171 Fax: (440) 974 3170
Website: www.integratedhydraulics.com

PERFORMANCE



COMPLETE VALVE



Basic Code	Port Size	A	B	C	D	E	F	G	H	K	L	M	N	O
2FR25	3/8"	70	38	76	111	7	36.5	42	19	9.5	9.5	57	51	9
2FR55	1/2"	70	38	76	111	7	36.5	42	19	9.5	9.5	57	51	9
2FR95	3/4"	76	38	89	124	7	38	46	19	9.5	9.5	70	57	10.5
2FR195	1"	95	51	102	137	7	45	57	25.5	12	12.5	76	70	10.5

Where measurements are critical request certified drawings

ORDERING CODE EXAMPLE

2FR** P 6W 95 S

Basic Code _____

2FR = Complete Valve

Adjustment Means _____

P = Leakproof Screw Adjustment

R = Handknob Adjustment

D = Detent Adjustment (2FR95 only)

L = Lever Adjustment (2FR95 only)

(See page 9-102 for dimensions)

Port Sizes - Bodied Valves Only _____

3W = 3/8" BSP 6T = 3/8" SAE

4W = 1/2" BSP 8T = 1/2" SAE

6W = 3/4" BSP 12T = 3/4" SAE

8W = 1" BSP 16T = 1" SAE

Seals

S = Nitrile (For use with most industrial hydraulic oils)

SV = Viton (For high temperature and most special fluid applications)

Adjustable Flow Range

25 = 0- 30 litres/min - 2FR25

55 = 0- 55 litres/min - 2FR55

95 = 0- 95 litres/min - 2FR95

195 = 0-195 litres/min - 2FR195

We reserve the right to change specifications without notice